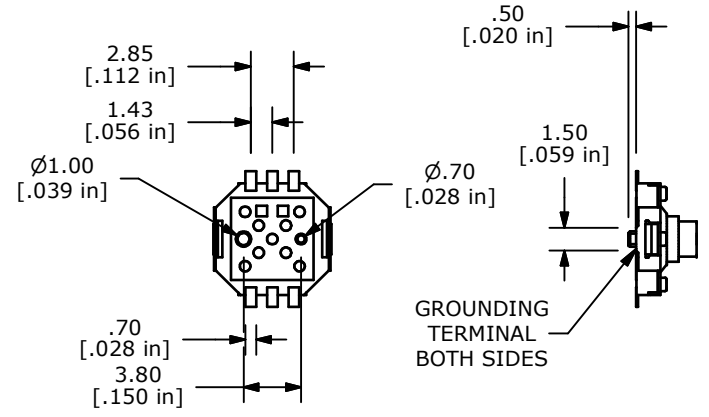
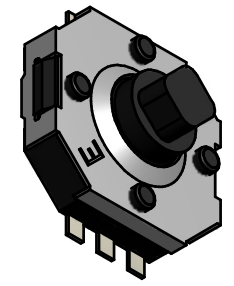
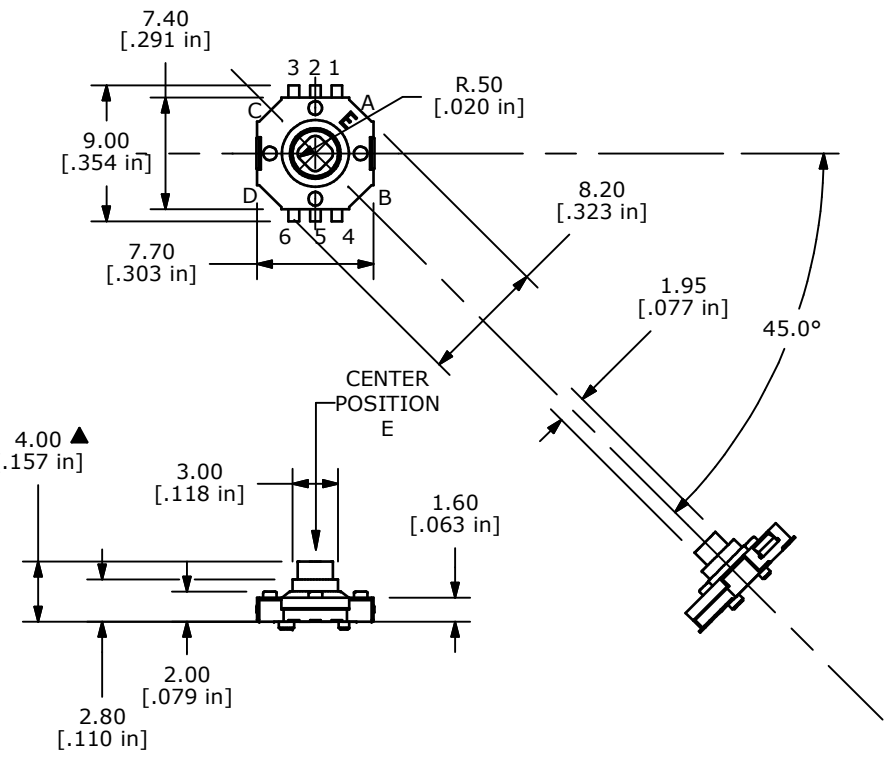


OPERATING POSITION	CIRCUIT
A	⑤-①
B	⑤-④
C	⑤-③
D	⑤-⑥
CENTER PUSH	⑤-②

- NOTES:
1. RATING: 12V DC 50mA MAX.
  2. CONTACT RESISTANCE: 100mΩ MAX.
  3. OPERATING FORCES:  
 CENTER PUSH: 360 ± 60gf  
 STROKE: 0.25 +0.1/-0.2 mm  
 4-WAY DIRECTION: 160 ± 50gf  
 TRAVEL: 5° +2.5°/-1°
  4. LIFE CYCLES: 100,000
  5. INSULATION RESISTANCE 100MΩ @ 100VDC
  6. DIELECTRIC STRENGTH: 250VAC FOR 1 MINUTE.
  7. OPERATING TEMPERATURE: -25°C TO +70°C
  8. STORAGE TEMPERATURE: -40°C TO +85°C
  9. GENERAL TOLERANCE: ± 0.3
  10. 2002/95/EC (ROHS) COMPLIANT
  11. ▲ DENOTES CRITICAL PARAMETER.



A	21146	INITIAL RELEASE	6/3/13	EBP
REV	PCR NO	DESCRIPTION	DATE	BY
THE INFORMATION CONTAINED IN THIS DOCUMENT IS PROPRIETARY TO E-SWITCH AND IS NOT TO BE COPIED OR TRANSFERRED				

TITLE JS1400CFQ				
SCALE	DATE	DR	DWG	REV
	6/3/2013	EBP	N211129	A